

ACCESSORIES / 附件

Contact Blocks (接點)

CB-10

CB	
10	1a
01	1b



Ui : 600V lth : 10A

Buzzer(蜂鳴器)

NBZ22-RA

A	AC.DC 24V
E	AC 100~120V
I	AC 220~240V



LED Bulb (燈球)

BA9-GA 1 2

1. Color (顏色)

R	Red 紅色	Y	Yellow 黃色
G	Green 綠色	S	Blue 藍色
W	White 白色		

2. Voltage Rating (電壓)

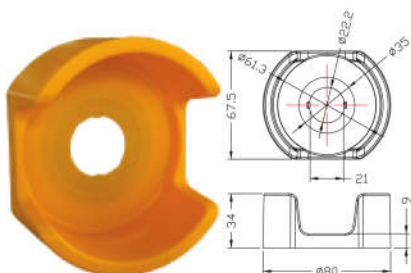
A	AC.DC 24V
E	AC.DC 100~120V
I	AC.DC 220~240V
M	AC 380~440V
Y	AC.DC 12V



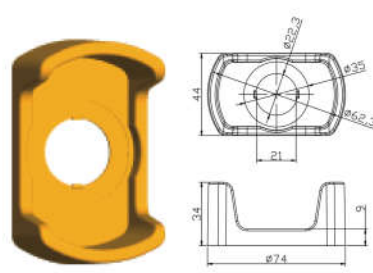
Back row : M Front row : A、E、I、Y
(燈球上圖為:M。下圖為:A、E、I、Y)

Shrouds (誤觸控保護座)

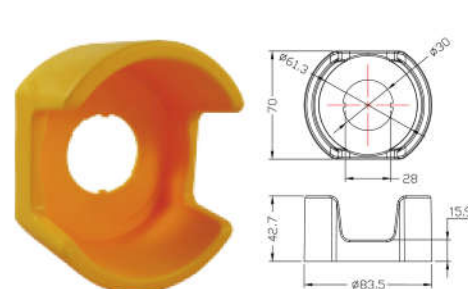
EMO-01Y ●
EMO-01W ○



EMO-02Y ●
EMO-02W ○

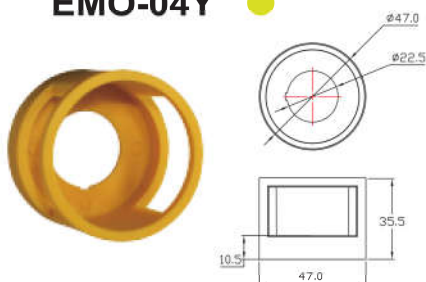


EMO-03Y ●



Unit (單位) : mm

EMO-04Y ●



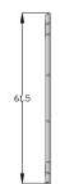
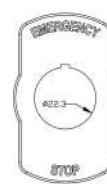
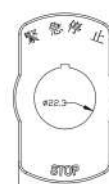
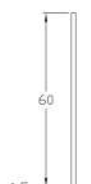
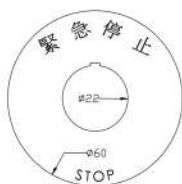
Name Plates (緊急停止銘板)

NPB22-R01C-C

NPB22-R01C-E

NPB22-R02C-C

NPB22-R02C-E



Anti-Disturbance Bulb Holder (抗干擾燈座)

BA9-L



Patent Number (專利號碼) : M429166
Voltage Rating (電壓) : AC
Vs > 40V, LED ON
Vs < 40V, LED OFF
Vs(max) is depended on LED voltage

Bulb Holder(燈座)

BA9



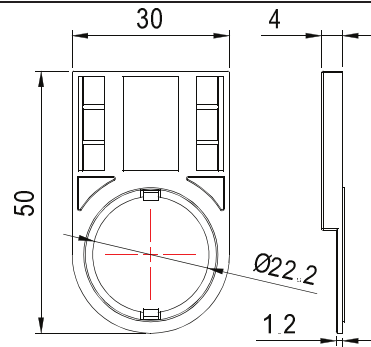
Fixing base(固定座)

NPB22-SB



Name Plates **NPB22 01C**

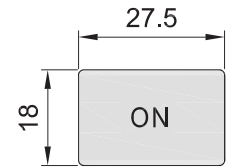
(標示框)



Unit (單位) : mm

Standard Legend Code **NPB22 01C 01**

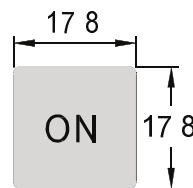
(標示銘板)



01	02	03	04	05	06	07	08	09		
ON	OFF	STOP	START	FWD	REV	UP	DOWN	RUN		
10	11	12	13	14	15	16	17	18		
OFF ON	O I	ON OFF ON	FWD OFF REV	MAN OFF AUTO	LOW OFF HIGH	ON OFF	OPEN	CLOSE		
19	20	21	22	23	24	25	26	27		
RESET		EM. STOP	BLANK	TRIP	POWER	○	┃	HIGH		
28	29	50	51	52	53	54	55	56		
LOW	FAULT	電源	運轉	啟動	停止	手動 停止 自動	逆轉 停止 正轉	正轉		
57	58	59	60							
反轉	自動	復歸	電源 關 開							

Standard Legend Code **NCU 61 01**

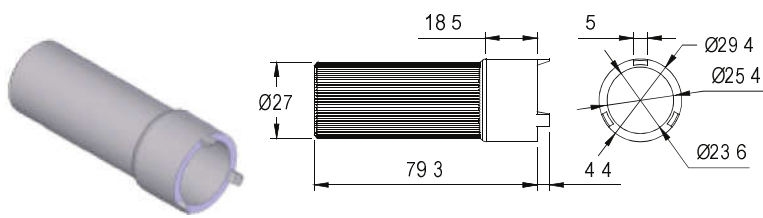
(標示銘板)



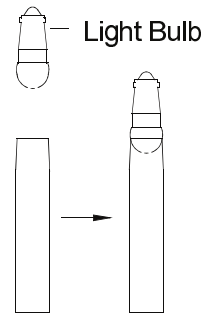
01	02	03	04	05	06	07	08	09	10		
ON	OFF	START	STOP	FWD	REV	UP	DOWN	FAST	SLOW		
11	12	13	14	15	16	17	18	19	20		
OPEN	CLOSE	RESET	EM STOP	┃	ON	START	FWD	UP	FAST		
21	22	23	24	25	26	27	28	29	30		
OPEN	O I	OFF ON	STOP START	REV FWD	DOWN UP	SLOW FAST	ESCLOSE	←	↔		
31	32	33	00								
○	┃	POWER									

Tools Of Fabricating
(工具圖)

PPB22 02T

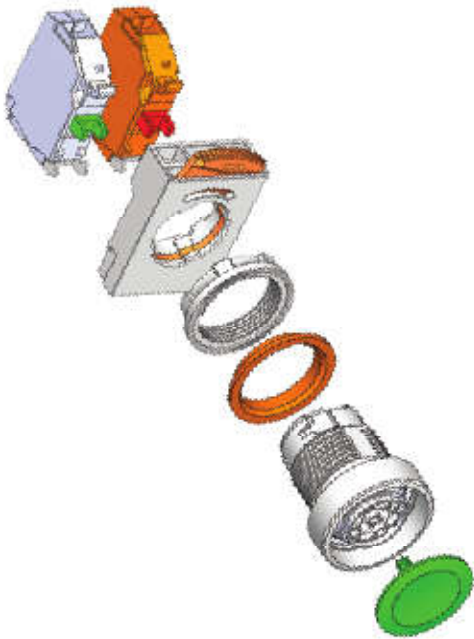


BA9-T2



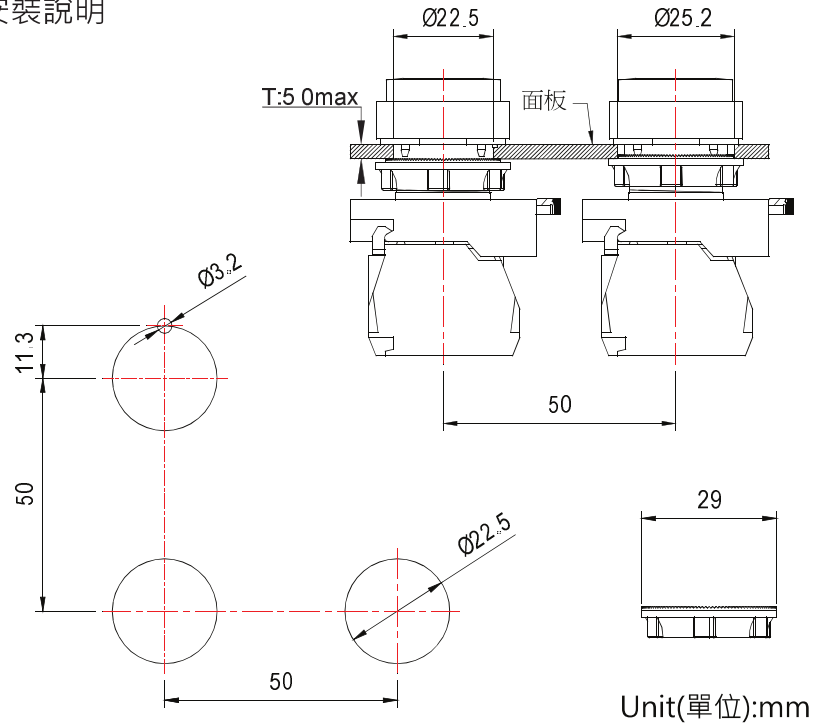
Exploded Views

分解圖

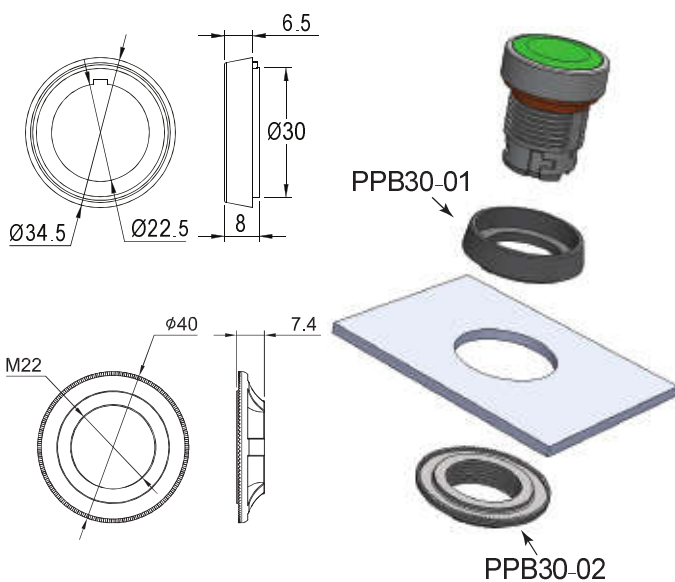


Mounting Hole Layout

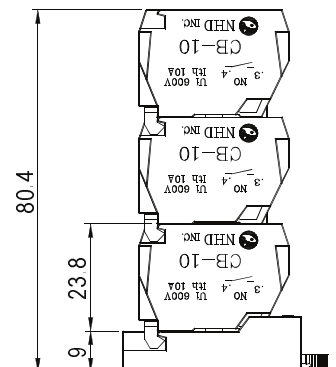
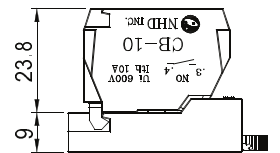
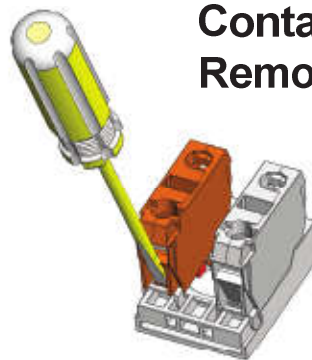
安裝說明



Mounting Adaptor (轉接器)
From 22mm to 30mm
(22mm 轉 30mm 墊片)
NPB30 01



Contacts Mounting And
Removing 接點拆卸圖



Unit(單位):mm