

# CONTROL UNITS FEATURES AND CHARACTERS 特性表

接觸阻抗 Contact Resistance	50 mΩ以下 less than 50 mΩ
絕緣阻抗 Insulation Resistance	500V DC電壓下, 100MΩ以上 Over 100MΩ at 500V DC
耐電壓 Dielectric Strength	AC 2500V之測試電壓1分鐘, 無短路, 破壞, 燒毀等異常現象 Test with AC 2500V for one min. without short circuit, breaks, burns or anything unusual.
耐衝擊 Shock Resistance	500 m/s <sup>2</sup>
耐振動 Vibration Resistance	10~55Hz 複振幅0.1mm Total Amplitude 0.1mm, 10~55Hz.
動作頻率 Operation Frequency	1800次/小時 1800 times/ hour
機械壽命 Mechanical Durability	100萬次以上 Over one million times
電氣壽命 Electrical Durability	10萬次以上 Over one hundred thousand times
螺絲扭力 Screw Torque	0.8 N-m保持5秒鐘不得破損 0.8 N-m for five seconds without any fracture.
牙圈扭力 Tightening Torque	2.5 N-m保持1分鐘不得破損 2.5 N-m for one min. without any fracture.
保存溫度 Storage Temperature	-20~60°C (-4~140°F)
使用溫度 Operating Temperature	-5~40°C (23~104°F)
相對溼度 Relative Humidity	45~85% RH
耐濕性 Humidity- Resistance	在溫度40±2°C (104±35°F), 相對溼度90~100%狀態下, 放置48小時後, 擦乾水滴於5分鐘內測試絕緣體電阻3MΩ以上, 接觸電阻5mΩ以下, 耐電壓亦符合規定, 且無機械故障。 Leave one unit in ambient temprature of 40±2°C (104±35°F) with relative humidity of 90~100% for 48 hours, then dry and test it in 5 minutes. The results have to be: *Insulation Resistance: over 3MΩ *Contact Resistance: less than 5mΩ *Dielectric Strength: fit with its testing standard *No Mechanical failure

**CSA Certified 2718965**  
Applicable Requirements



CSA Standard C22.2 No. 0-10 - General Requirements - Canadian Electrical Code, Part II  
CSA Standard C22.2 No. 14-13 - Industrial Control Equipment

**UL File NO. E239743**



USR - Indicates evaluation to UL 508, Seventeenth Edition, the Standard for Industrial Control Equipment.  
CNR indicates investigation to CAN/CSA C22.2 No. 14-05, the Standard for Industrial Control Equipment.  
USR, CNR - Pushbutton Switches and Pilot Lights for Industrial Use,  
Series NPB22, NLB22, NSS22, NLS22, NPL22 or NLD22, followed by additional characters.

**TÜV Rheinland Group**



License No. R50202326  
EN 60947-1 : 2007  
EN 60947-5-1 : 2004+A1  
License No. R50204143  
EN 60947-1 : 2007  
EN 60947-5-1 : 2004+A1  
EN 60947-5-5 : 1997+A1  
CE Marked : EN60947-5-1

Model Designation :

型號說明

# NPL22-GA

1                      2 3

1. Series (系列)

NPL22	Round Head 凸頭圓形
NLD22	Flush Head 平頭圓形

2. Cap Color (顏色)

<b>R</b>	Red 紅色	<b>Y</b>	Yellow 黃色
<b>G</b>	Green 綠色	<b>S</b>	Blue 藍色
<b>W</b>	White 白色	<b>O</b>	Orange 橘色

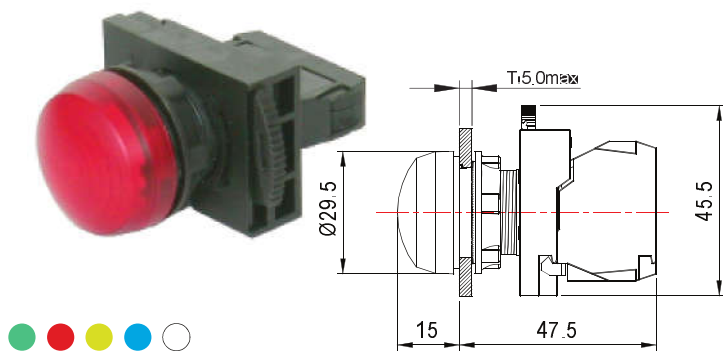
3. Voltage Rating (電壓)

NPL22		NLD22	
A	AC DC 24V	A	AC DC 24V
E	AC DC 100~120V	E	AC 100~120V
I	AC DC 220~240V	I	AC 220~240V
M	AC 380~440V	M	AC 380~440V
Y	AC DC 12V		

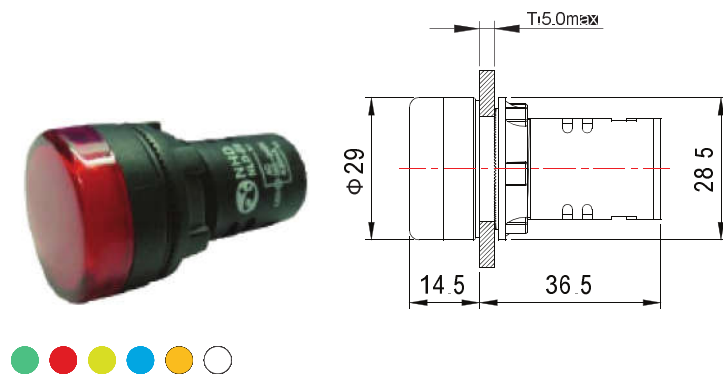
## SPECIFICATION

Unit (單位) : mm

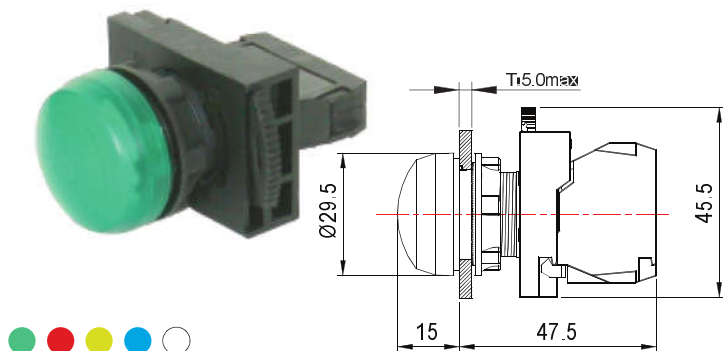
NPL22-R



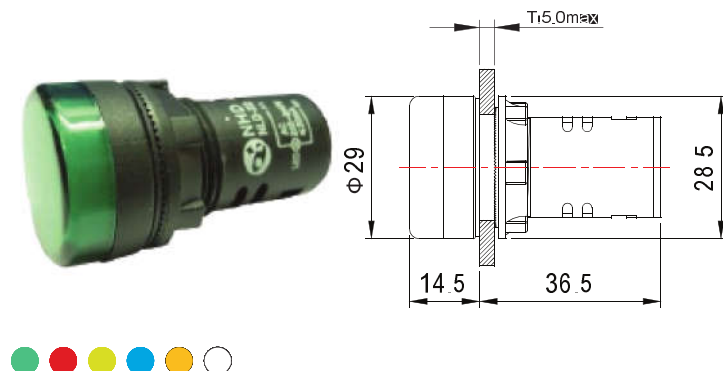
NLD22-R



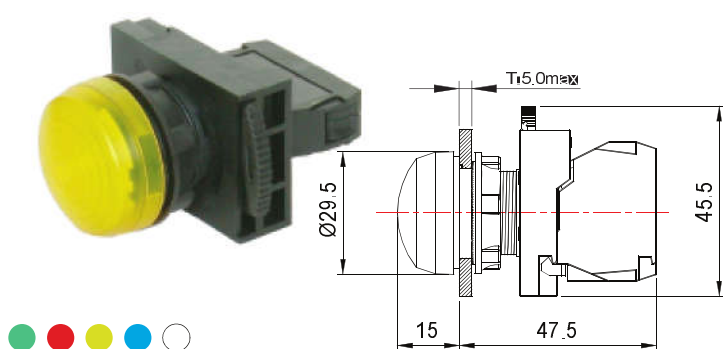
NPL22-G



NLD22-G



NPL22-Y



NLD22-S

